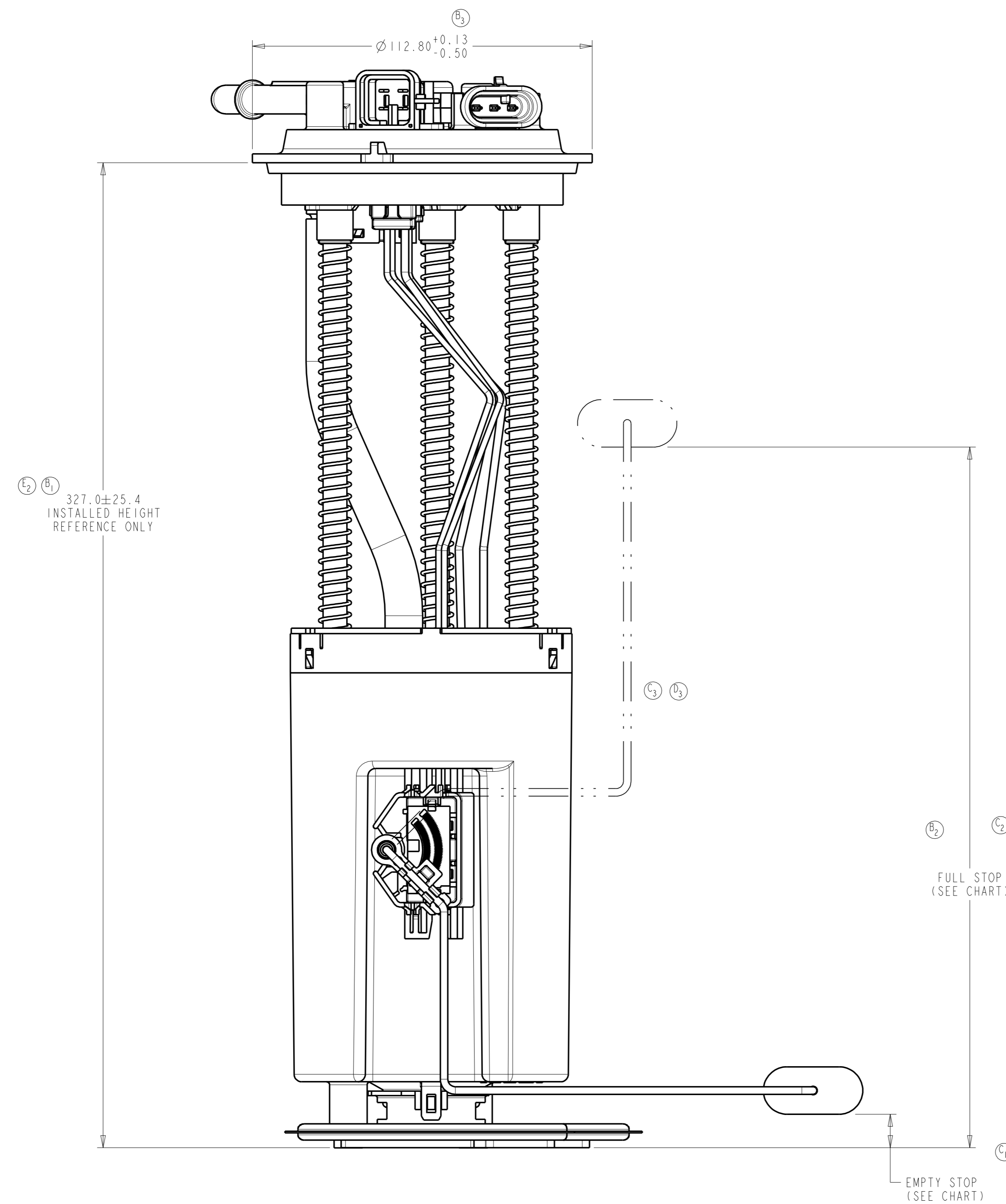
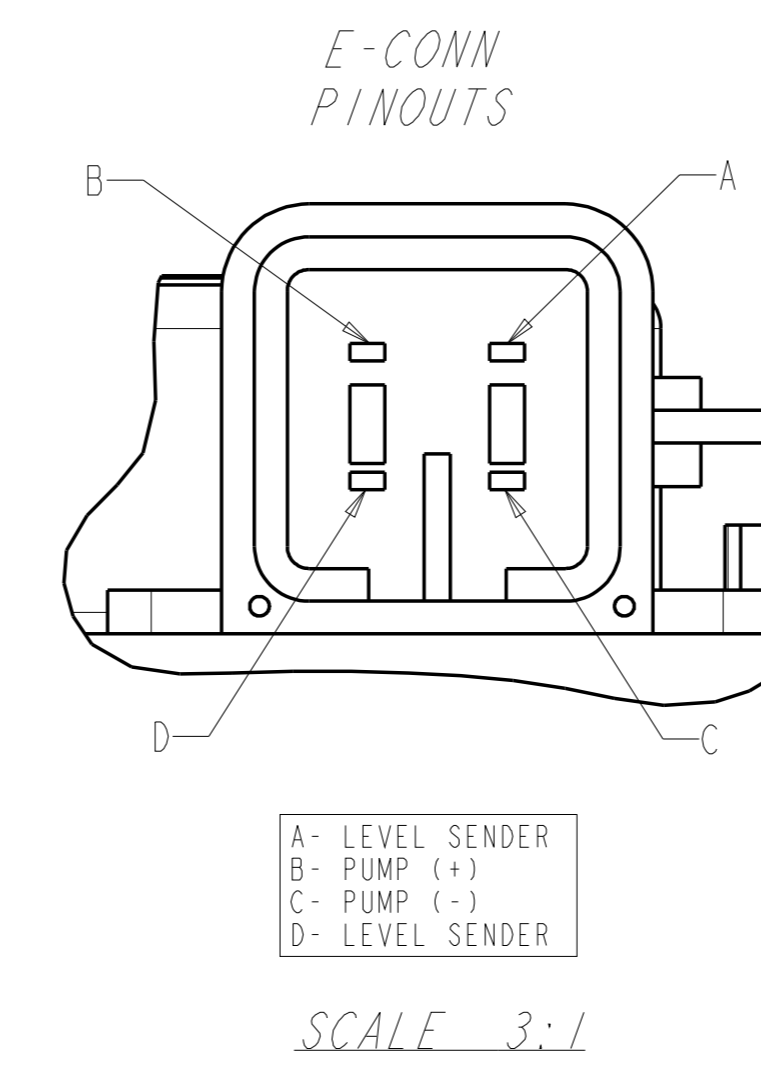
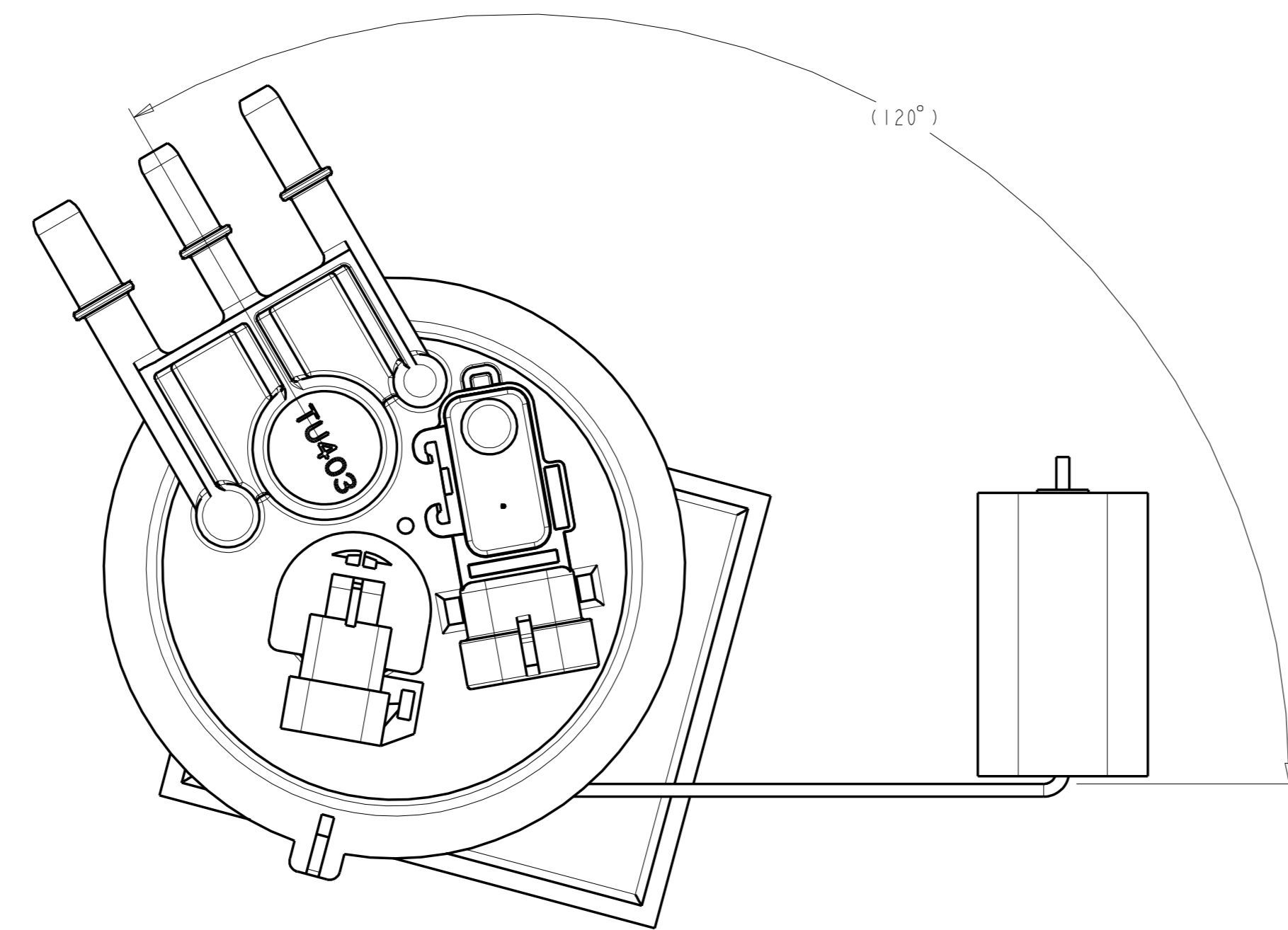


REVISIONS						
ZONE	LTR.	DESCRIPTION	ECN NO.	DATE	BY	APPR'D
	A	RELEASED FOR PRODUCTION	DR01299	11SEP03	TDD	
4B	B	B1 WAS 342.0				
3A	B	B2 WAS (257.2)	DR08624	24AUG06	TJD	
3C	B	B3 WAS $\varnothing 112.80 \pm 0.13$				
3A	C	C1 WAS 10				
3A	C	C2 WAS 231.6	DR12162	12FEB07	GPM	
4A, 3B	C	C3 PART # WAS FWD000345				
2A	D	D1 231.6 WAS 202.7	71644	20OCT08	SLK	MM:K
2A	D	D2 10.0 WAS 15.7				
3B	D	D3 PART # WAS FWD000332				
1A	E	E1 TU403 WAS FWD000759	72662	24FEB10	SLK	MM:K
4B	E	E2 327.0 WAS 311.0				
1A	E	E3 ADDED NOTE 4				



LEVEL SENDER		
POINT	HEIGHT	OHMS
FULL STOP	231.6	100.0
EMPTY STOP	10.0	2.0

- NOTES:
- CHANGE IN DESIGN, COMPOSITION, LOCATION OR PROCESSING FROM THE PART PREVIOUSLY APPROVED FOR PRODUCTION REQUIRES PRIOR APPROVAL BY TI AUTOMOTIVE
 - REPLACES: GM# 2516348T AC# MUI1
 - PUMP USED: F20000163
 - MODULE TO BE PACKAGED USING COMPONENTS NOTED ON BOM SO THAT CONTAMINATION FROM FOREIGN MATERIAL IS PREVENTED:
 - PLUG PROTECTORS ON PORTS
 - POLYBAG

INTERNAL USE ONLY DISTRIBUTION CODE		TI Automotive		AFTERMARKET DIVISION 630 COLUMBIA STREET CARO, MICHIGAN 48723	
REF: FWD000759	DO NOT SCALE PRINT	TOLERANCE UNLESS OTHERWISE SPECIFIED: .00 .75 .15 .30 .60 .125 .25 .50 .75 .150 .300 .600	MATERIAL	SCALE: 1:1	DATE: 11SEP03
DIMENSIONS AND TOLERANCES PER ANSI/ASME Y14.5M - 1994	SIZE	FINISH	CHAR' BY: T. DESPRES	APPR'D BY:	DRAWING NO.: TU403
PRODUCTION	PRODUCTION	TITLE	TOP LEVEL ASSEMBLY		
PRO-E	PRO-E	REV	E		

D

C

B

A

4

3

2

1